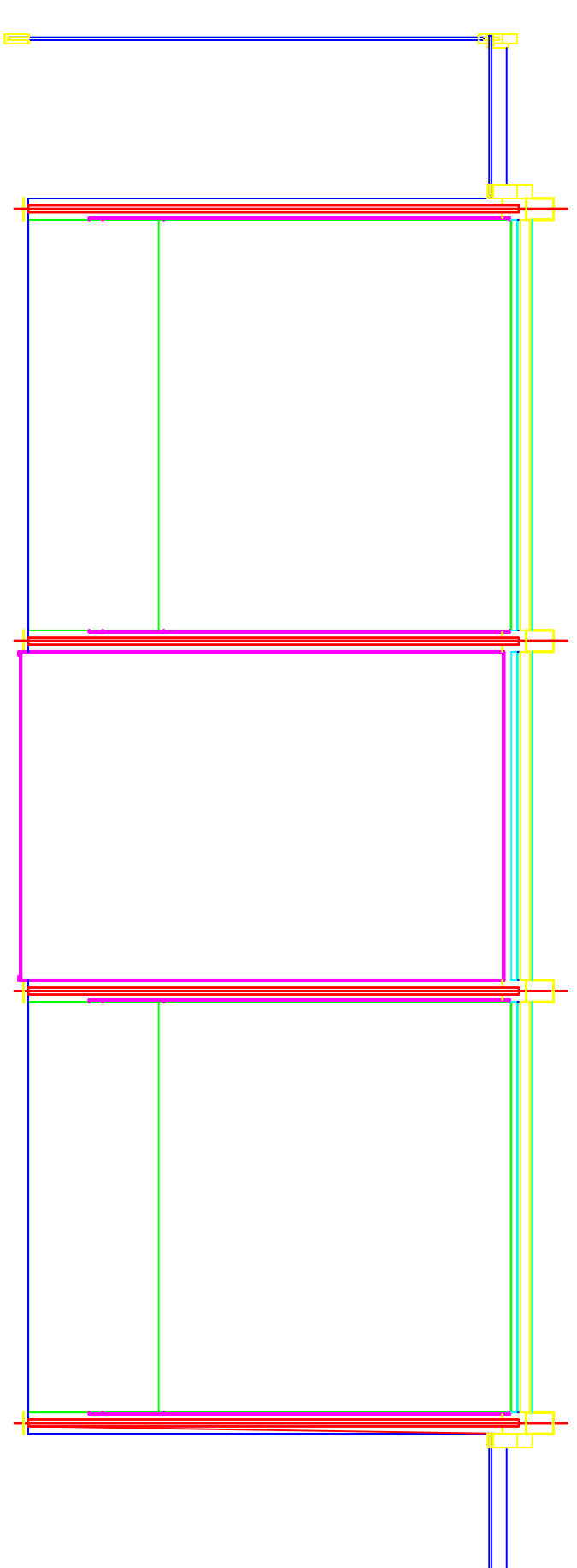
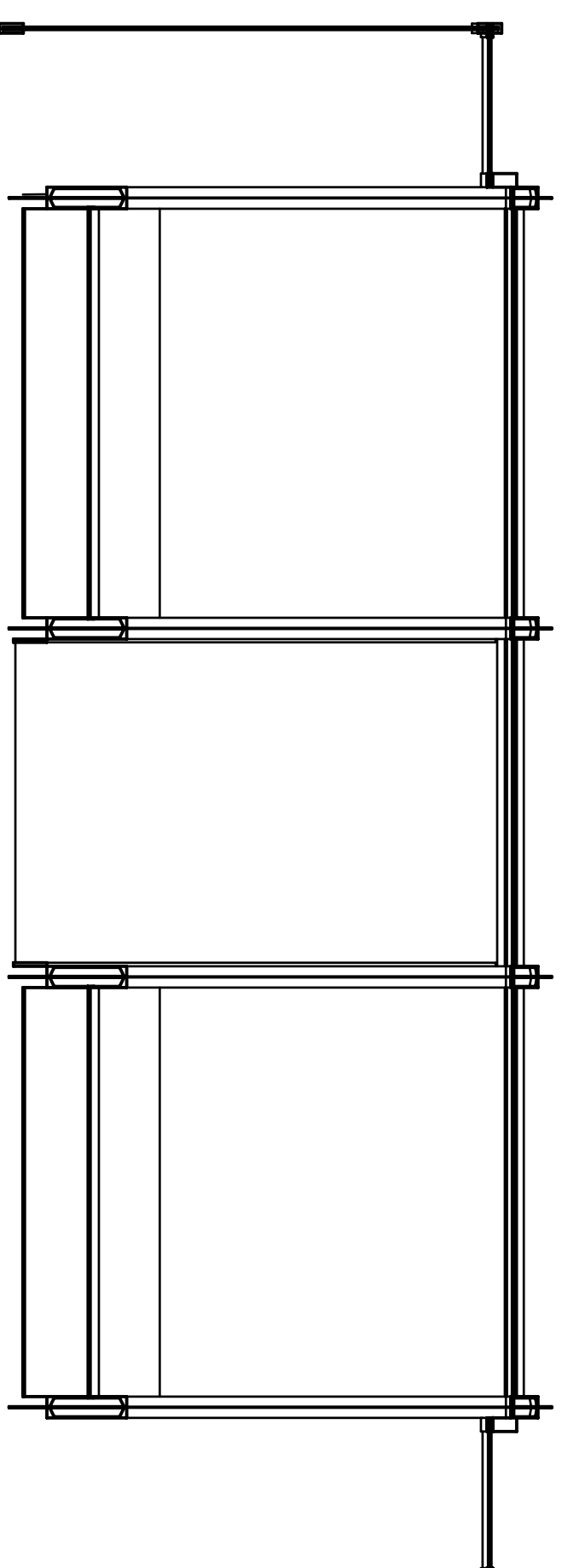


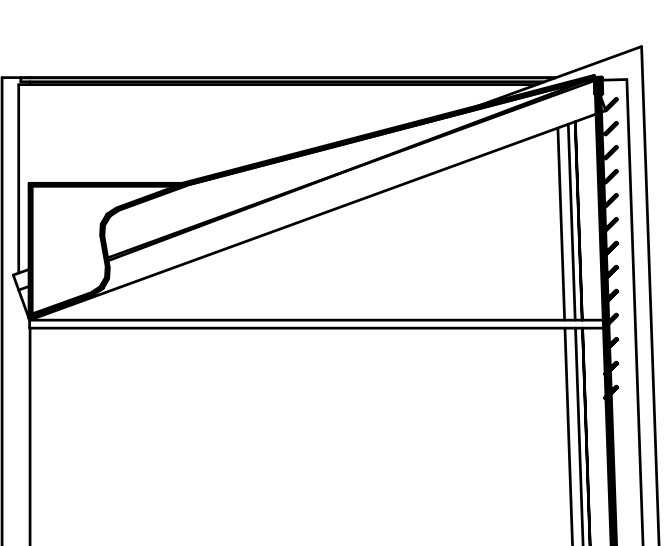
SOUTH ELEVATION



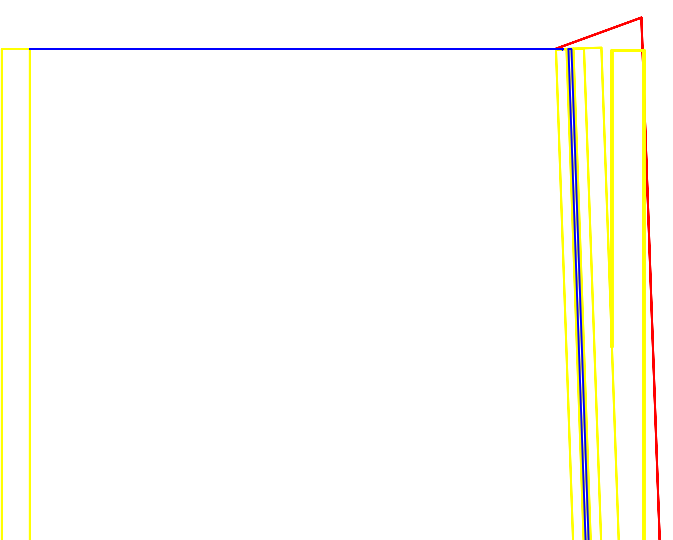
NORTH ELEVATION



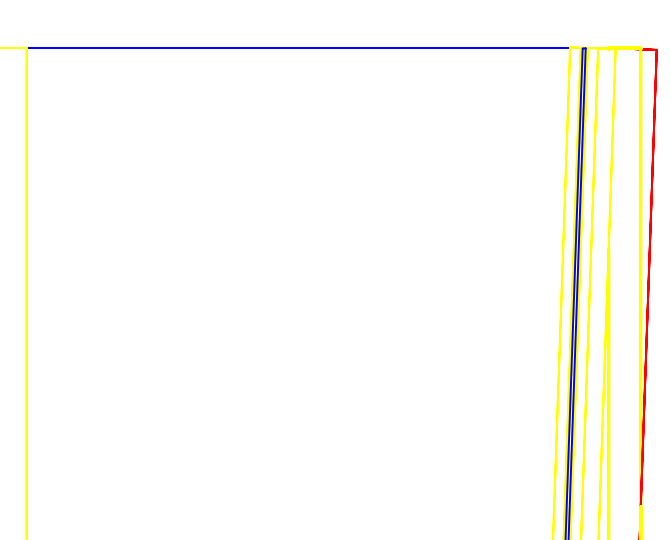
EW SECTION



NS SECTION



WEST ELEVATION



EAST ELEVATION

General Notes

# SECTIONS AND ELEVATIONS

Date: DECEMBER 9, 2003

Drawn By: M.SCHLANSER & J. BURKE

Client Approval Inside:

Firm Name and Address

**M.S.J.B ARCHITECTURAL  
DESIGN**  
1155 12TH AVE. N.  
FARGO, ND 58102

Project Name and Address

**NDSU STATE-OF-THE-ART  
TRANSIT AND BUS STOP  
DESIGN**

Project: **NDSU**

Date: **12-09-03**

Scale: **1/4" = 1'-0"**

Sheet

